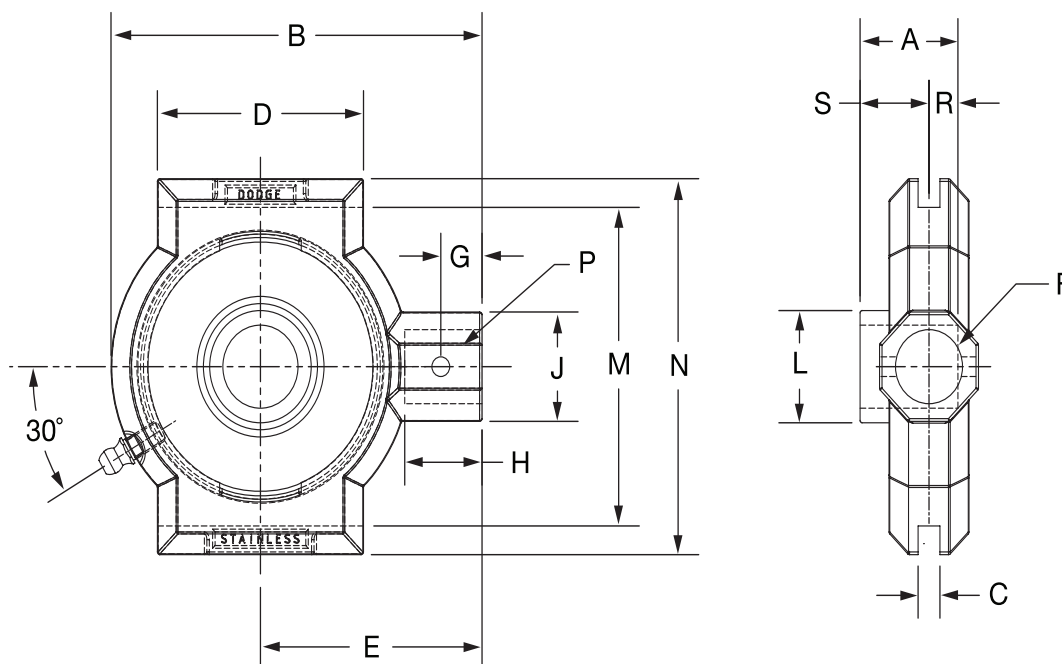
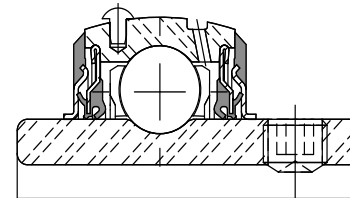




# SELECTION/DIMENSIONS

## ULTRA KLEEN Mounted Bearings SCEZ SHSS NORMAL DUTY STAINLESS STEEL HOUSED NARROW SLOT TAKE-UP BEARINGS



Series	Shaft Size	Standard	
		Part No.	Description
204S	3/4	<b>136833</b>	NSTU-SCEZ-012-SHSS
	20mm	<b>136891</b>	NSTU-SCEZ-20M-SHSS
205	1	<b>136834</b>	NSTU-SCEZ-100-SHSS
	25mm	<b>136892</b>	NSTU-SCEZ-25M-SHSS
206	1-3/16	<b>136835</b>	NSTU-SCEZ-103-SHSS
	1-1/4	<b>136836</b>	NSTU-SCEZ-104S-SHSS
	30mm	<b>136893</b>	NSTU-SCEZ-30M-SHSS
207	1-1/4	<b>136837</b>	NSTU-SCEZ-104-SHSS
	1-7/16	<b>136838</b>	NSTU-SCEZ-107-SHSS
	35mm	<b>136894</b>	NSTU-SCEZ-35M-SHSS
208	1-1/2	<b>136839</b>	NSTU-SCEZ-108-SHSS
	40mm	<b>136895</b>	NSTU-SCEZ-40M-SHSS
210	1-15/16	<b>136840</b>	NSTU-SCEZ-115-SHSS
	2	<b>136994</b>	NSTU-SCEZ-200-SHSS
	50mm	<b>136896</b>	NSTU-SCEZ-50M-SHSS

FEATURES/BENEFITS  
PAGE B1-3

HOW TO ORDER/NOMENCLATURE  
PAGE B1-6

EASY SELECTION  
PAGE B1-7

ACCESSORIES  
PAGE B1-35

# SELECTION/DIMENSIONS



## ULTRA KLEEN Mounted Bearings SCEZ SHSS NORMAL DUTY STAINLESS STEEL HOUSED NARROW SLOT TAKE-UP BEARINGS

Bearing Reference Guide

ULTRA KLEEN

E-Z KLEEN

Extreme Duty

Setscrew Ball Bearing

GRIP TIGHT

D-LOK Ball Bearing

Series	Shaft Size	Weight lbs. kg	Take-Up Frame No. Ref.	A	B	C	D	E	F Screw Dia	G
204	3/4	1.16	NS210	1.23	3.49	0.265	1.50	2.19	3/4	0.44
	20mm	.53		31.2	88.6	6.73	38.1	55.6	19.1	11.2
205	1	1.06	NS210	1.34	3.49	0.265	1.50	2.19	3/4	0.44
	25mm	.48		34.0	88.6	6.73	38.1	55.6	19.1	11.2
206	1-3/16	2.51	NS308	1.52	4.50	0.265	2.50	2.69	3/4	0.50
	1-1/4	1.14		38.6	114.3	6.73	63.5	68.3	19.1	12.7
207	1-1/4	2.65	NS308	1.71	4.50	0.265	2.50	2.69	3/4	0.50
	1-7/16	1.20		43.4	114.3	6.73	63.5	68.3	19.1	12.7
208	1-1/2	4.08	NS400	1.94	5.38	0.328	3.00	3.25	1	0.66
	40mm	1.85		49.3	136.7	8.33	76.2	82.6	25.4	16.8
210	1-15/16	3.79	NS400	1.94	5.50	0.328	3.00	3.25	1	0.66
	2	1.72		49.3	139.7	8.33	76.2	82.6	25.4	16.8

Series	Shaft Size	H	J	L	M	N	Pin Dia	R	S
204	3/4	0.88	1.20	1.11	2.635/2.605	3.13	0.32	0.50	0.73
	20mm	22.4	30.5	28.2	66.93/66.17	79.5	8.1	12.7	18.5
205	1	0.88	1.20	1.32	2.635/2.605	3.13	0.32	0.56	0.78
	25mm	22.4	30.5	33.5	66.93/66.17	79.5	8.1	14.2	19.8
206	1-3/16	0.94	1.20	1.57	3.510/3.480	4.13	0.32	0.58	0.94
	1-1/4	23.9	30.5	39.9	89.15/88.39	104.9	8.1	14.7	23.9
207	1-1/4	0.94	1.20	1.84	3.510/3.480	4.13	0.32	0.67	1.04
	1-7/16	23.9	30.5	46.7	89.15/88.39	104.9	8.1	17.0	26.4
208	1-1/2	1.16	1.50	2.05	4.015/3.985	4.75	0.38	0.75	1.19
	40mm	29.5	38.1	52.1	101.98/101.22	120.7	9.7	19.1	30.2
210	1-15/16	1.16	1.50	2.43	4.015/3.985	4.75	0.38	0.75	1.19
	2	29.5	38.1	61.7	101.98/101.22	120.7	9.7	19.1	30.2

FEATURES/BENEFITS PAGE B1-3	HOW TO ORDER/NOMENCLATURE PAGE B1-6	EASY SELECTION PAGE B1-7	ACCESSORIES PAGE B1-35
--------------------------------	--	-----------------------------	---------------------------